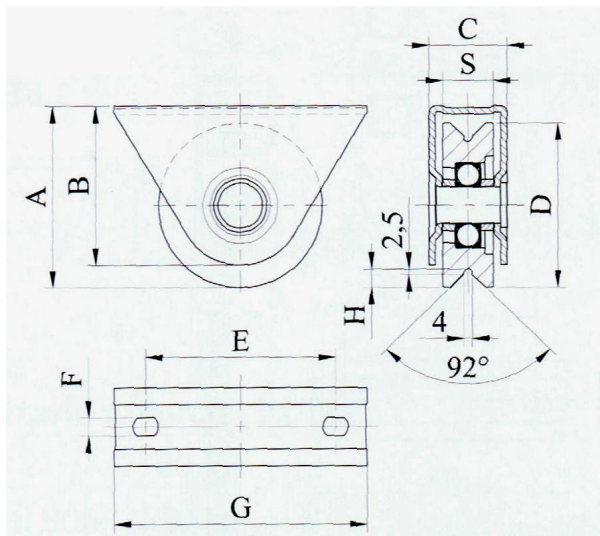


# 411 Series

## Zinc or Gold Passivated Wheels with External Support

### 411 Y Wheel



Code	A	B	C	D Ø mm	E	F	G	H	S	Bearings	Weight Kgs
411-100	105	85	39	97.5	90	8.5x12	120	8.8	24	1	230